

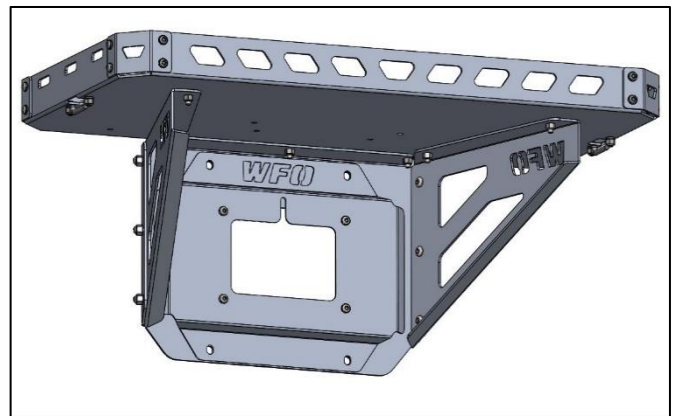


Part #	Description
WFO 8501	2007-2018 Jeep JK Tailgate Ice Chest Rack

10076 Streeter Road Suite #7, Auburn, CA 95602
 Phone: 530.268.9494 www.wfoconcepts.com

WFO 8501

BILL OF MATERIALS		
WMA 33001	07-18 Jeep JK - Tailgate Ice Chest Mount	
C-33001-01	Main JK Tailgate Bolt Plate	Qty. 1
C-31202-02	Driverside Support Wing	Qty. 1
C-31202-03	Passengerside Support Wing	Qty. 1
33-6230	5/16"-18x3/4" SS Button Head Bolts	Qty. 6
33-3051	5/16" SS Flat Washer	Qty. 6
33-23650	5/16"-18 SS Non-Galling Nylock Nut	Qty. 6
33-6210	1/4"-20 x 5/8" SS Button Head Bolts	Qty. 7
33-3041	1/4" SS Flat Washers	Qty. 7
WFO 1401	30-3/4" x 16" Basket	Qty. 1
C-40001-01	Main Aluminum Basket	Qty. 1
C-40001-02	Side Bolt Cap – Oval Cutout	Qty. 1
C-40001-03	Side Bolt Cap – Bottle Opener Cutout	Qty. 1
8030T16	Side Strap Hold Down	Qty. 2
33-6212	1/4"-20 x 3/4" SS Button Head Bolts	Qty. 4
33-6208	1/4"-20 x 1/2" SS Button Head Bolts	Qty. 16
33-3041	1/4" SS Flat Washers	Qty. 16
33-23640	1/4"-20 SS Non-Galling Nylock Nut	Qty. 4
WFO 8500	07-18 JK License Plate Mount	Qty. 1
C-33001-02	Main JK License Plate Mount	Qty. 1
33-6210	1/4"-20 x 5/8" SS Button Head Bolts	Qty. 4
33-3041	1/4" SS Flat Washers	Qty. 4
TOOLS NEEDED		
5/32" Allen Socket	Pry Bar	
3/8" Drive Ratchet	Wire crimping tools	
13mm Socket	Zip Ties	
Impact gun	Anti-Seize	
Small Phillips Screwdriver		



WARNING!

*** Read all instructions thoroughly from start to finish before beginning the job! If these instructions are not properly followed, severe frame, suspension, tire, or body damage may result to the vehicle!
 *** WFO Concepts recommends that you exercise extreme caution when working under vehicles supported by jack stands.
 *** WFO Concepts recommends all installation to be performed by a professional shop/service technician. Product failure due to improper installation will not be covered under WFO's warranty policy.

TECH NOTES:

- This kit replaces the factory spare tire mount on the tailgate. Some wires will need to be relocated and/or cut. Be sure to double check all wires before modifying. The Jeep wiring harness can be sensitive to adding accessories they weren't intended for. When possible, use the correct wire size and harnesses the signal wire came from.
- Whenever installing Stainless Steel Hardware it's a good idea to use Anti Seize to preventing galling of the threads.

REMOVAL:

1. Remove the spare tire.
2. Open tailgate and remove the right-side inner plastic trim by gently popping it off. Be careful not to break the plastic retainers that hold this cover to the inner part of the tailgate.
3. Unplug the electrical plug (Figure A). Then pull the wire out through the hole just left of the tire carrier on the outside of the tailgate (Figure B).

Fig. A



Fig. B



4. Remove stock plastic spare tire carrier. Using a 13mm socket, remove the 8 bolts on the outside perimeter of the stock plastic spare tire carrier (Figure C). SAVE THESE BOLTS, you will reuse them. Wipe off any dirt or debris. (Figure D)

Fig. C



Fig. D



5. If running a third brake light and/or license plate light, you will need to extend the factory harness from the Driverside factory location to the new area. (Figure E)
6. First remove your old license plate and set aside. With an 8mm socket, remove the center 2 bolts and the lower 2 bolts. It may be necessary to drop the bumper slightly to access the lower bolts. Remove the wire harness clip from the front side first, pry up gently on the tab to slide it off the mount. (Figure F) Then un clip it from the rear to remove the license plate mount from the jeep. (Figure G) You can snip the end off and run new wires under the tub, up into the passenger taillight area, into the tub, then down the existing tailgate wire harness. We recommend routing the harness further and popping it through the vent area. You will also need to tap into the factory Brake Light harness on the Passengerside to run with these License Plate Illumination light harness, only if you're running a third brake light.

Fig. E



Fig. F



Fig G



Fig. H



***** Note on Figure H: It's recommended to purchase a plastic License Plate Delete Plug from an outside source. The Jeep dealership offers these, part # 55397112AA, or companies like Quadratec or eBay. *****

INSTALL:

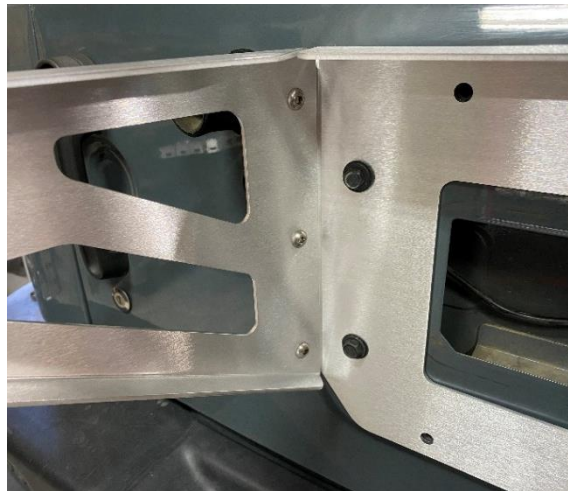
7. Locate the Main bolt plate with top and side wings. Take 4 of the 8 existing tire carrier bolts. It's a good idea to apply a little anti seize to the bolts. Thread the outer most 4 bolts first. (Figure I) Tighten them down with a hand ratchet, the threaded holes in the tailgate are casted into it, and have been known to break if over torqued.

Fig. I



8. Locate the 5/16" bolts, washers, and nylock nuts. Also grab the C-31202-02, Driverside Support Wing. Place the wing on the inside of the main bracket, line up the 3 holes and place the 5/16" bolts through, place the washer and nylock on the opposite side, leave loose. (Figure J) Repeat on the Passengerside.

Fig. J



9. Take your WFO 1401 Basket, if not already assembled, do that now. Place it on top of the main plate and side wings. Align the back most 3 holes, the side wings can flex around to fit their holes. *** **Note:** The WFO 1401 is a universal rack that goes across many kits, as well as the side wings. Qty. 2 of the bolt holes do not line up. You can either leave these open or after bolting everything down, simply drill a 1/4" hole and use the remaining hardware. ***
10. Locate all 7 of the 1/4"-20x5/8" SS button head bolts and place them in the aligned holes. Follow them up with a nylock nut on the bottom side.
11. Tighten all hardware for the Ice Chest rack.
12. Lightly thread the bolts and your license plate mount into the tailgate.
13. If you purchased the third brake light, refer to those instructions on which wires to hook back up.
14. Lastly, find your license plate and the 4 supplied 1/4"-20 Stainless Steel Button bolts and washers and install your license plate.



10076 Streeter Road Suite #7, Auburn, CA 95602
Phone: 530.268.9494 www.wfoconcepts.com

Follow us on all Social Media Platforms!
Remember to share your photos and tag #WFOCONCEPTS to be featured on our page!

