



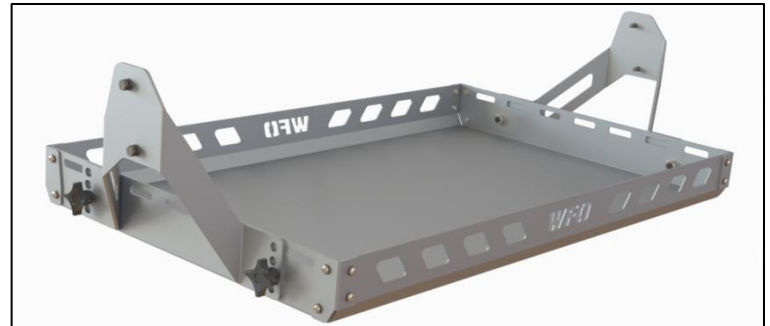
INSTALLATION INSTRUCTIONS

Part #	Description
WFO 8103	2018+ Jeep JL – 2-Door Rear Cargo Basket - Aluminum

10076 Streeter Road Suite #7, Auburn, CA 95602  
 Phone: 530.268.9494 www.wfoconcepts.com

**WFO 8103**

BILL OF MATERIALS		
WFO 1400	40" x 25" Aluminum Basket	Qty. 1
C-31200-03	Driverside Cage Plate	Qty. 1
C-31200-04	Passengerside Cage Plate	Qty. 1
45-0825	M8x1.25mmx25mm Hex Bolt	Qty. 4
454508	M8 Lock Washer	Qty. 4
453508	M8 Flat Washer	Qty. 4
5993K72	1/2"-13 Knob	Qty. 4



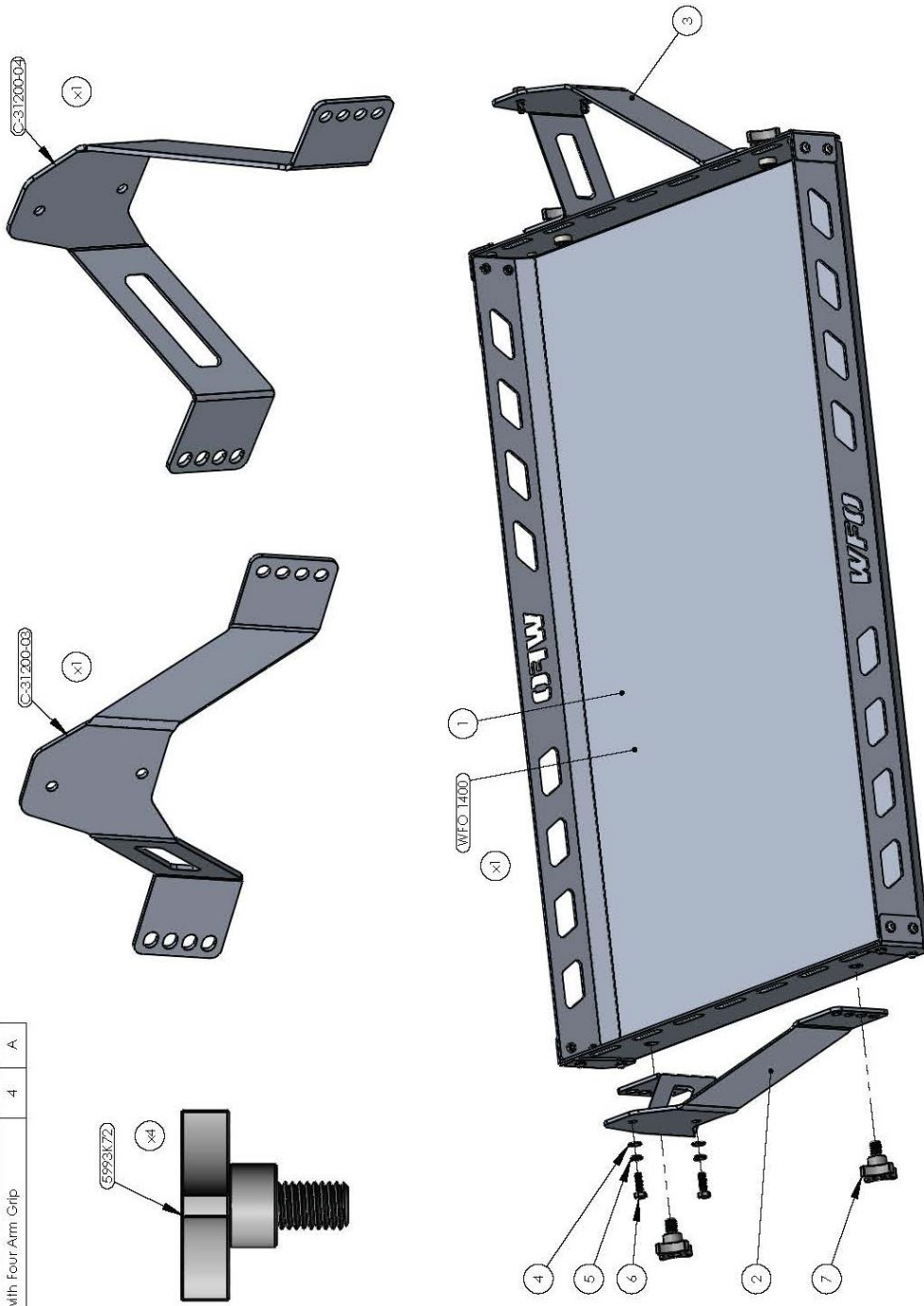
TOOLS NEEDED
5/32" Allen Socket
13mm Socket
3/8" Drive Ratchet
Anti-Seize

WARNING!
*** Read all instructions thoroughly from start to finish before beginning the job! If these instructions are not properly followed, severe frame, suspension, tire, or body damage may result to the vehicle!
*** WFO Concepts recommends that you exercise extreme caution when working under vehicles supported by jack stands.
*** WFO Concepts recommends all installation to be performed by a professional shop/service technician. Product failure due to improper installation will not be covered under WFO's warranty policy.

TECH NOTES:
- Whenever installing Stainless Steel Hardware it's a good idea to use Anti Seize to preventing galling of the threads.
- The corner 1/4"-20 Penn Nuts have a max torque rating of 78 in. lbs. (6.5 ft. lbs.)
- The side 1/2"-13 Penn Nuts have a max torque Rating of 692 in. lbs. (57 ft. lbs.)

ITEM NO.	PART NUMBER	DESCRIPTION	QTY.	Rev
1	WFO 1400	40" x 26" Aluminum Basket	1	A
2	C-31200-03	18+ Jeep JL 2Door - Driveside Cargo Basket Bracket	1	A
3	C-31200-04	18+ Jeep JL 2Door - Passengerside Cargo Basket Bracket	1	A
4	45-4508	M8 Flat Washer	4	A
5	45-3508	M8 - Steel Lock Washer	4	A
6	45-0825	M8 x 1.25 x 25mm - 8.8 Steel Hex Head Screw	4	A
7	5993K72	1/2" x 13 x 3/4" Knob with Four Arm Grip	4	A

REVISIONS			
REV.	DESCRIPTION	DATE	APPROVED
A	Part Released	8/29/2023	Keven K



DRAWN BY:	KEVEN K	DATE:	8/29/23	MATERIAL:	ALUMINUM	10076 Streeleer Rd. - Suite 7 Auburn, CA 95602 Phone: 530.268.9494 WWW.WFOCONCEPTS.COM
DRAWING UPDATED:				FINISH:	RAW	
THE INFORMATION CONTAINED IN THIS DRAWING IS THE SOLE PROPERTY OF WFO CONCEPTS. ANY REPRODUCTION IN PART OR AS A WHOLE WITHOUT THE WRITTEN PERMISSION OF WFO IS PROHIBITED.				TOLERANCES / DIMENSIONS ARE IN INCHES EXCEPT AS NOTED: ANGULAR ±0.1° BEND ±0.5° DEC: 2PL ±0.01 3PL ±0.005		
				TITLE		2018+ Jeep JL 2 Door Rear Cargo Basket with Roll Cage Brackets
				PART #		WFO 8103
				SHEET 1 OF 1		REV A

## **INSTALL:**

1. If your WFO 1400 Basket is not already assembled, refer to those instructions for assembly.
2. Locate the Driverside bracket. Refer to the picture below, Fig. A, on orientation. The brackets will bolt from the outside and the square cutout in the plate will go towards the front of the jeep.
3. Using (2) of the M8 bolts, lock washer, and washer, lightly thread them through the plate and into the roll cage.
4. Repeat on the other side.

**Fig. A**



5. Locate the (4) ½"-13 threaded knobs. Place the WFO 1400 basket between the side cage plates and position it the desired holes.
6. Level out the basket as much as possible and final tighten all side bolts to 19 Ft. Lbs.
7. Tighten all 4 thumb screws and load up your new basket!





10076 Streeter Road Suite #7, Auburn, CA 95602  
Phone: 530.268.9494 [www.wfoconcepts.com](http://www.wfoconcepts.com)

**Follow us on all Social Media Platforms!**

**Remember to share your photos and tag #WFOCONCEPTS to be featured on our page!**

