



Part #	Description
WFO 8900	1976-1986 Jeep CJ Roll Cage Stanchions

10076 Streeter Road Suite #7, Auburn, CA 95602
 Phone: 530.268.9494 www.wfoconcepts.com

WFO 8900

BILL OF MATERIALS	
WFO 8900-D	Driver Side 2-piece assembly
WFO 8900-P	Passengerside 2-piece assembly
Hardware Kit	
TOOLS NEEDED	
Torx Bit Set Allen Bit Set Standard Socket set Standard Wrench Set 3/8" Ratchet Hole Alignment Pin Tool Drill 3/8" Drill Bit	



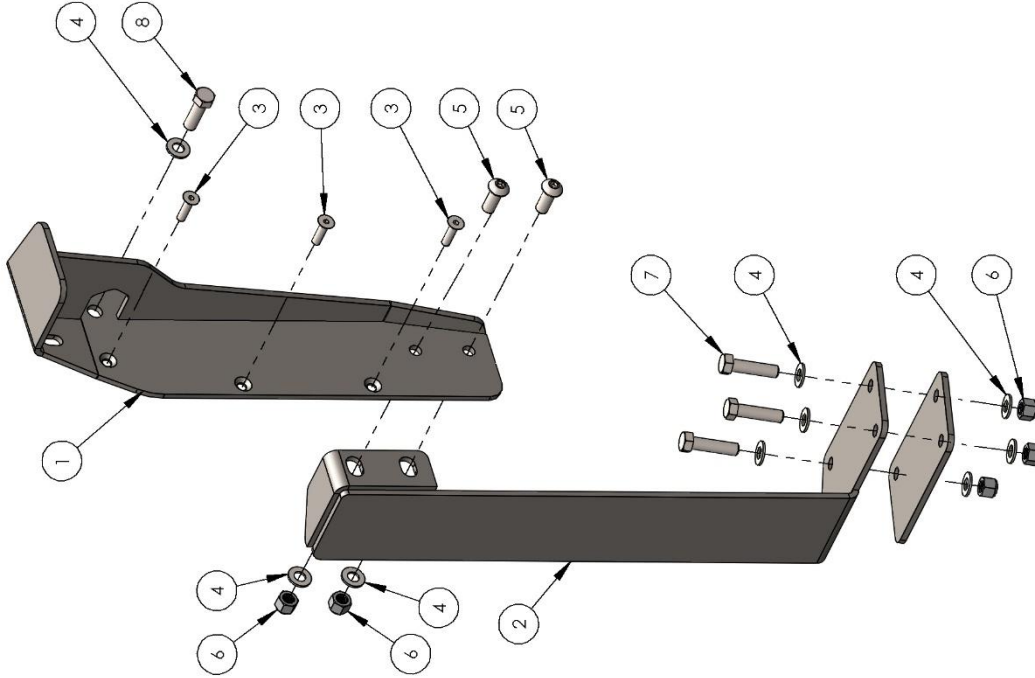
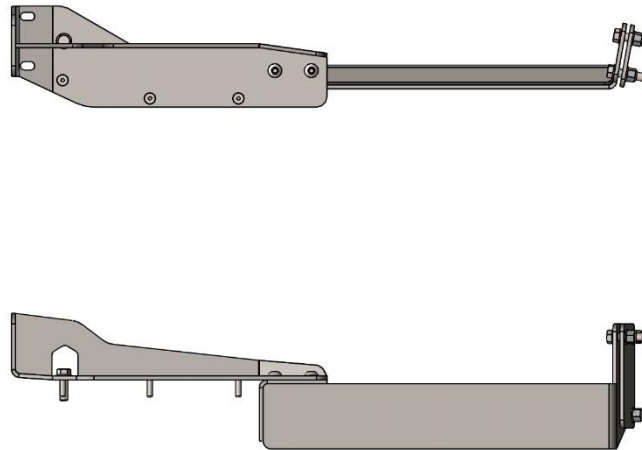
WARNING!

*** Read all instructions thoroughly from start to finish before beginning the job! If these instructions are not properly followed, severe frame, suspension, tire, or body damage may result to the vehicle!
 *** WFO Concepts recommends that you exercise extreme caution when working under vehicles supported by jack stands.
 *** WFO Concepts recommends all installation to be performed by a professional shop/service technician. Product failure due to improper installation will not be covered under WFO's warranty policy.

TECH NOTES:

- You will re-use the 4 factory Torx bolts that screw into your window frame.
- Depending on Door strap bracket, customers have been known to drill and tap into the main spine on the bottom half.

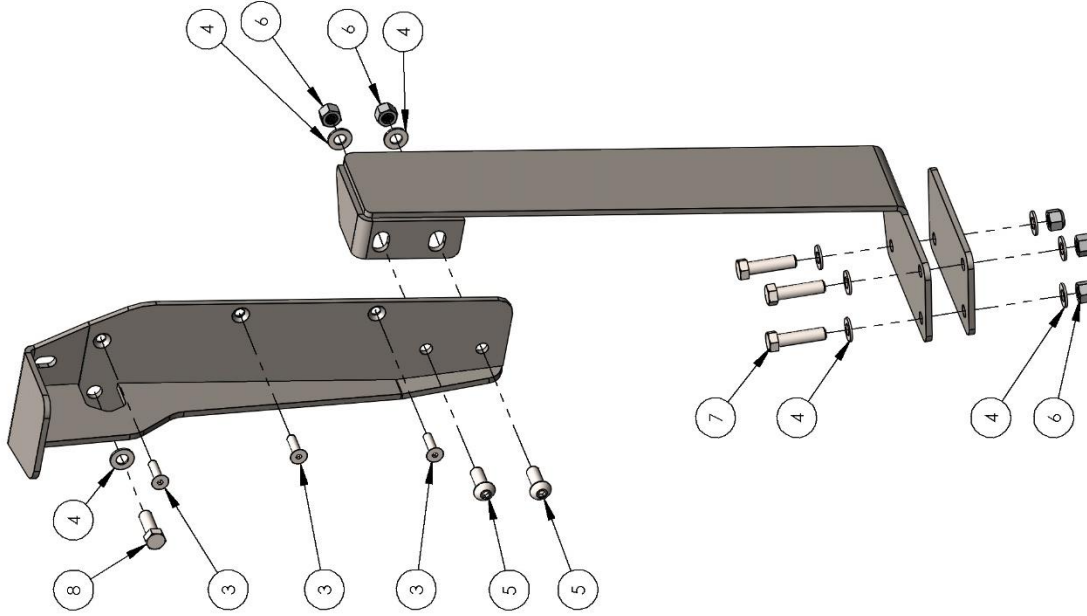
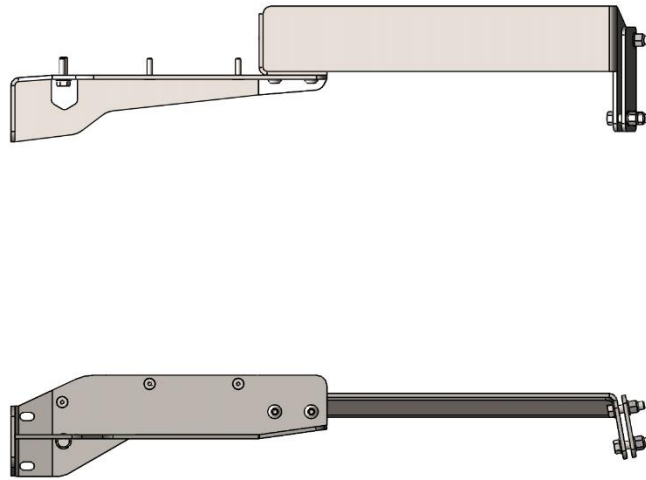
ITEM NO.	PART NUMBER	DESCRIPTION	QTY.
1	WM-3400-D1	Driverside Top	1
2	WM-3400-D2	Driverside Bottom	1
3	336042	1/4-20 x 1" Stainless Steel Flat Socket Head Cap Screw	3
4	3734061	3/8" SAE Washer, Grade 5	9
5	336227	3/8-16 x 1" Stainless Steel Button Head Bolt	2
6	345506	3/8"-16 Nylock Nut, Grade 5	5
7	350612	Bolt, 3/8-16 x 1.5", Grade 5	3
8	350610	Bolt, 3/8-16 x 1.25", Grade 5	1



REVISIONS	
REV.	DESCRIPTION
A	Part Released
	DATE
	1/6/2022
	APPROVED
	Keven K

	10076 Streeper Rd. - Suite 7 Auburn, CA 95602 Phone: 530.268.9494 WWW.WFOCONCEPTS.COM
	TITLE: 1976-1984 Jeep CJ Roll-Over Protection Driverside Assembly PART # WFO-8900-D REV A
DRAWN BY: KEVEN K DATE: 1/6/22 DRAWING UPDATED: 3/8/22	MATERIAL: 3/16" P&O STEEL FINISH: RAW
THE INFORMATION CONTAINED IN THIS DRAWING IS THE SOLE PROPERTY OF WFO CONCEPTS. ANY REPRODUCTION IN PART OR AS A WHOLE WITHOUT THE WRITTEN PERMISSION OF WFO IS PROHIBITED.	TOLERANCES / DIMENSIONS ARE IN INCHES EXCEPT AS NOTED: ANGULAR ±0.1° BEND ±0.5° DEC: 2PL ±0.01 3PL ±0.005 DO NOT SCALE DRAWINGS SHEET 1 OF 1

ITEM NO.	PART NUMBER	DESCRIPTION	QTY.
1	WM-34001-P1	Passengerside Top Assembly	1
2	WM-34001-P2	Passengerside Lower Assembly	1
3	336042	1/4-20 x 1" Stainless Steel Flat Socket Head Cap Screw	3
4	3736061	3/8" SAE Washer, Grade 5	9
5	336227	3/8-16 x 1" Stainless Steel Button Head Bolt	2
6	345506	3/8"-16 Nylock Nut, Grade 5	5
7	350612	Bolt, 3/8-16 x 1.5" Grade 5	3
8	350610	Bolt, 3/8-16 x 1.25" Grade 5	1



DRAWN BY:	KEVEN K	DATE:	1/6/22	MATERIAL:	3/16" P&O STEEL	 10076 Streater Rd., Suite 7 Auburn, CA 95602 Phone: 530.268.9494 WWW.WFOCONCEPTS.COM	
	DRAWING UPDATED:	3/8/22	FINISH:	RAW	TOLERANCES / DIMENSIONS ARE IN INCHES EXCEPT AS NOTED: ANGULAR ±0.1° BEND ±0.5" DEC: 2PL ±0.01 3PL ±0.005		
THE INFORMATION CONTAINED IN THIS DRAWING IS THE SOLE PROPERTY OF WFO CONCEPTS. ANY REPRODUCTION IN PART OR AS A WHOLE WITHOUT THE WRITTEN PERMISSION OF WFO IS PROHIBITED.							
REV.:	A	DESCRIPTION:	Part Released	DATE:	1/6/2022	TITLE:	1976-1986 Jeep CJ/Trail C/Jeep Wranglers Diverside Assembly
		REVISIONS		APPROVED:	Keven K	PART #	WFO-8900-P
						DO NOT SCALE DRAWING	SHEET 1 OF 1
							REV
							A



10076 Streeter Road Suite #7, Auburn, CA 95602
Phone: 530.268.9494 www.wfoconcepts.com

Follow us on all Social Media Platforms!

Remember to share your photos and tag #WFOCONCEPTS to be featured on our page!

